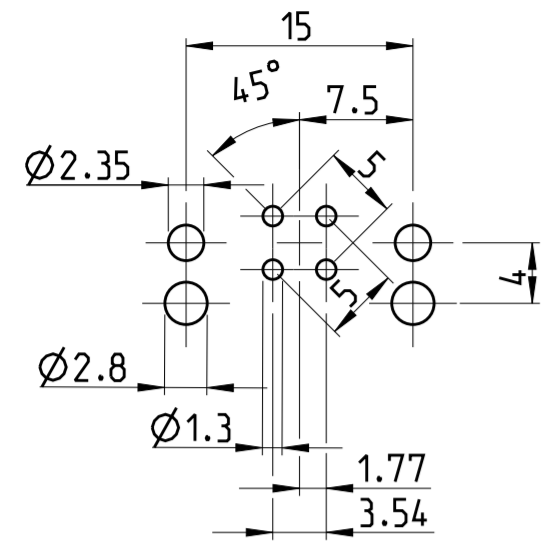


THIS DRAWING IS UNPUBLISHED. VERTRÄULICHE UNVERÖFFENTLICHTE ZEICHNUNG. RELEASED FOR PUBLICATION FREI FÜR VERÖFFENTLICHUNG. 2014. MATED WITH: PASSEND ZU: 2014.

PROJEKT NR.: PRJ-11-000004377

REVISIONS		DATE	DWN	APVD
ÄNDERUNGEN				
DESCRIPTION				
BESCHREIBUNG				
P	LTR			
	A	04DEC2014	TJ	PS

CONDUCTOR LAYOUT

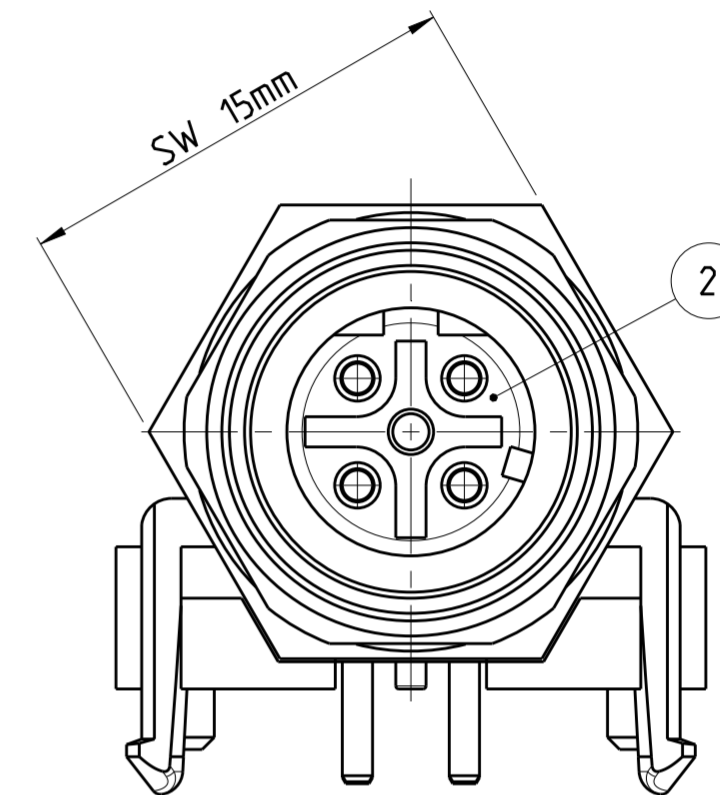
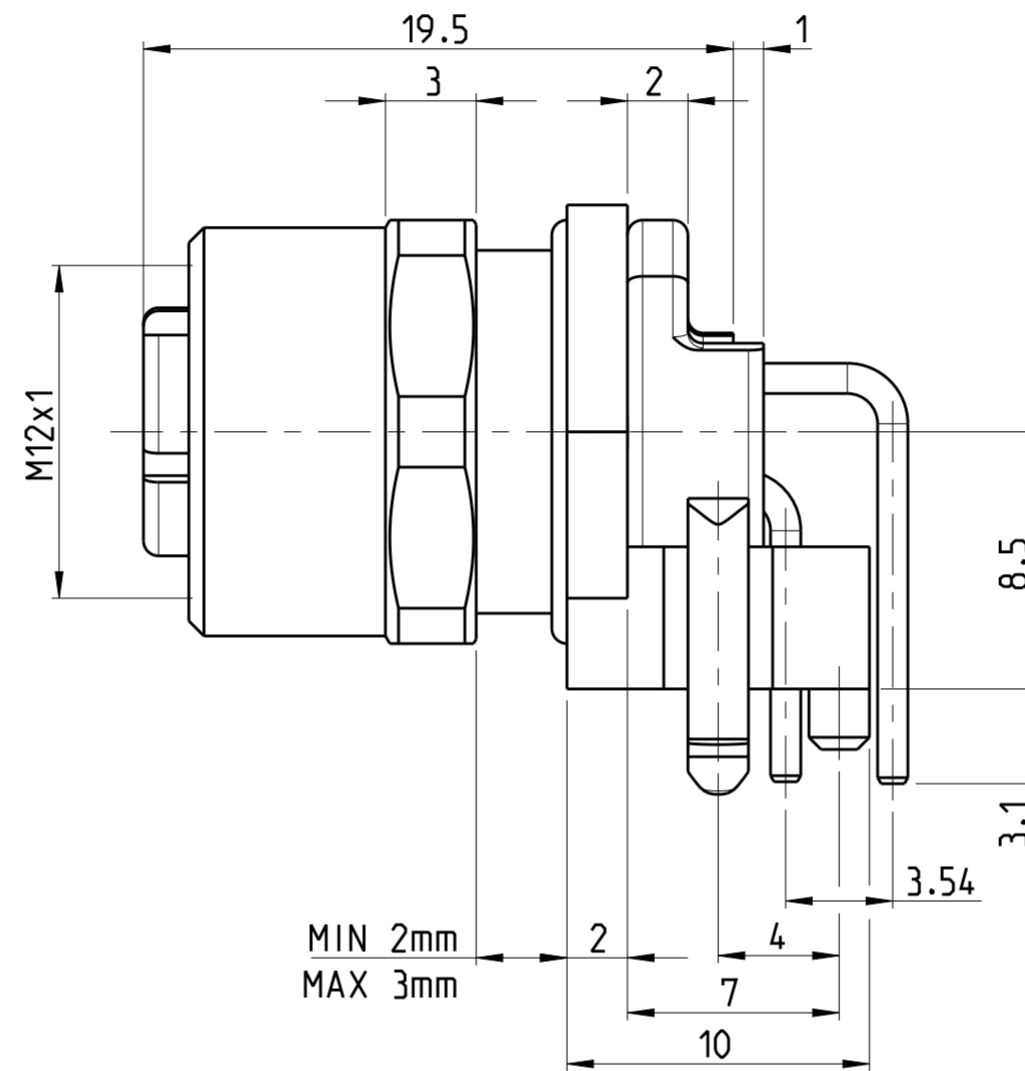
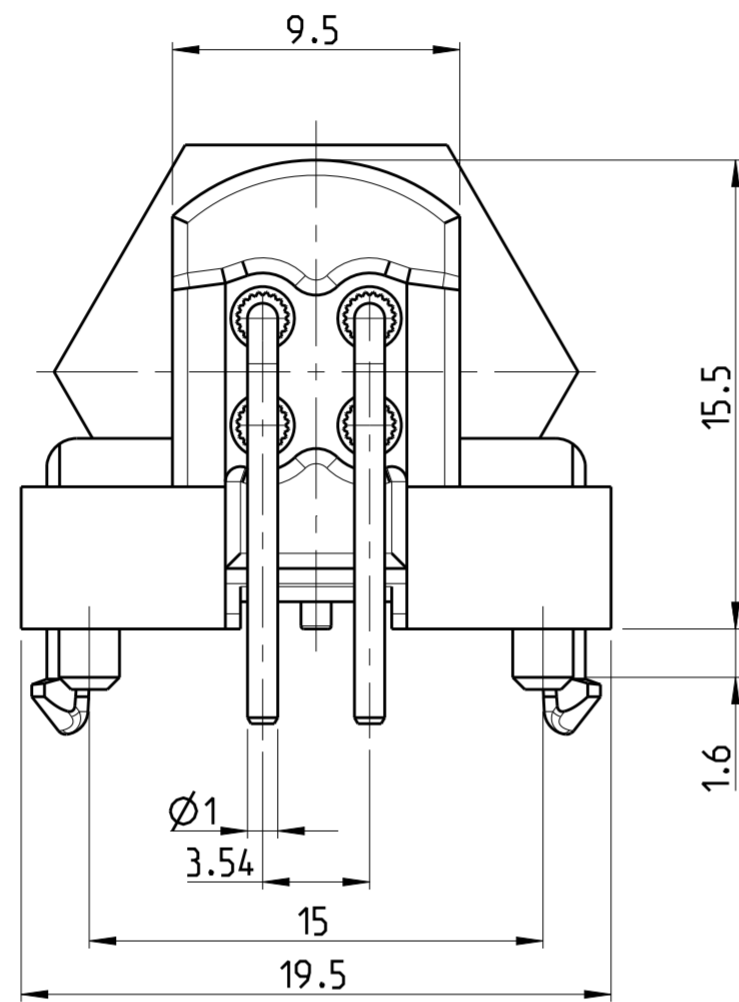


NOTES:

- 1 MATERIAL: ITEM NO. 1: HOUSING - CuZn (BRASS, NICKEL PLATED)
 ITEM NO. 2: CONTACT BODY - PA (GREEN)
 ITEM NO. 3: CONTACT - CuSn (BRONZE)
 CONTACT FINISH - AU (GOLD)

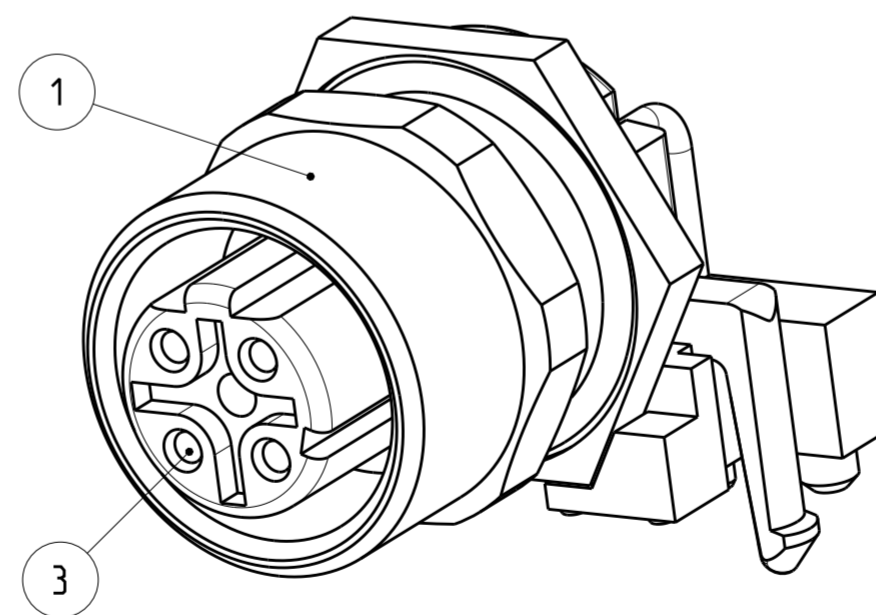
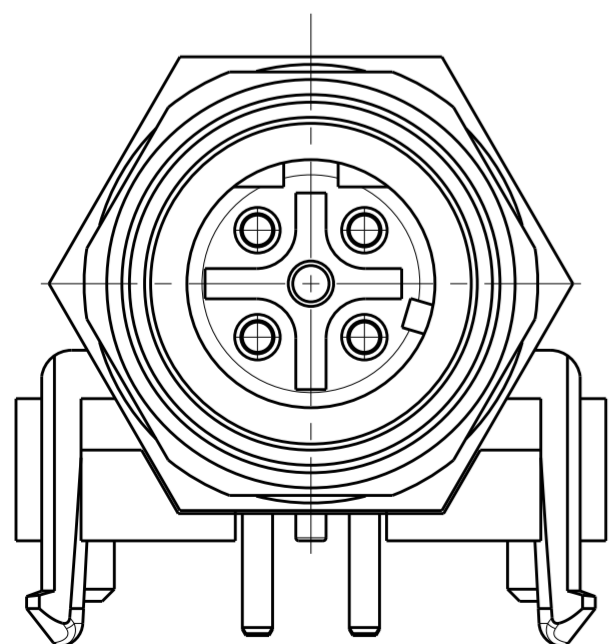
2 ALL DIMENSIONS ARE FOR NOMINAL REFERENCE ONLY UNLESS OTHERWISE STATED

TECHNICAL DATA	3-2172087-2
RATED VOLTAGE	250V
RATED IMPULSE VOLTAGE	2500V
POLLUTION DEGREE	3
OVERVOLTAGE CATEGORY	II
MATERIAL GROUP	II
RATED CURRENT	4A
VOLUME RESISTIVITY	≤ 3mΩ
DEGREE OF PROTECTION	IP67
UPPER TEMPERATURE	+85 °C
LOWER TEMPERATURE	+40 °C



PIN ARRANGEMENT D-CODING

3-2172087-2



SIZE ISO 14405 (E)

DIESE ZEICHNUNG IST EIN KONTROLLIERTES DOKUMENT. BEMASSUNGEN UND TOLERANZEN GEMAESS GPS (ISO STANDARDS).		DWN YASHKUMAR 13AUG2014
THIS DRAWING IS A CONTROLLED DOCUMENT. DIMENSIONING AND TOLERANCING PER GPS (ISO STANDARDS).		CHK M. BRUBAKER 13AUG2014
DIMENSIONS: MASSEINHEITEN: (MM)		APVD M. BRUBAKER 13AUG2014
TOLERANCES UNLESS OTHERWISE SPECIFIED: ALLGEMEINTOLERANZEN		NAME M. BRUBAKER
0 PLC ±	1 PLC ±	PRODUCT SPEC 108-19483
2 PLC ±	3 PLC ±	APPLICATION SPEC 114-32127
4 PLC ±	ANGLES/WINKEL ±	WEIGHT -
FINISH/OBERFLÄCHE/FARBE		Customer Drawing
SEE NOTES		SCALE MASSSTAB 2:1

4	3-2172087-2
MATERIAL	TE-PART-NO.

STE TE Connectivity

M12 RECEPTACLE, FEMALE, PCB MOUNT ANGLED, UNSHIELDED, STANDOFF, D-CODED

SIZE A2	CAGE CODE 00779	DRAWING NO. ZEICHNUNGS-NR. C-2172087	RESTRICTED TO NUR FÜR -
SCALE MASSSTAB 2:1		SHEET BLATT 1 OF 1	REV A